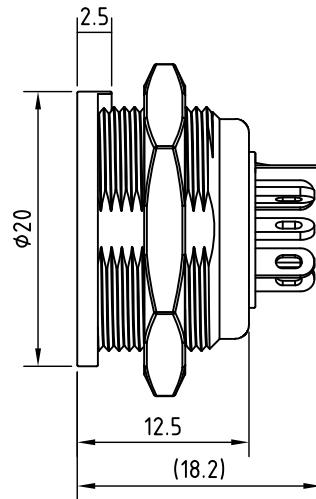
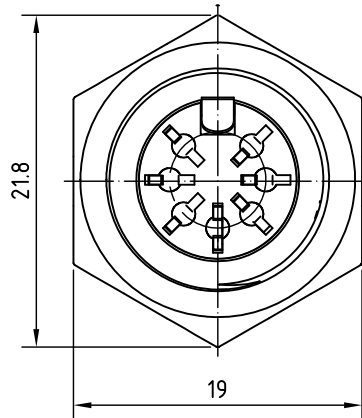
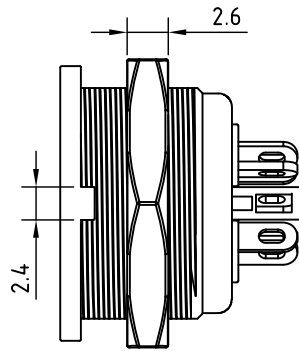


Recommended  
Panel cut-out



REV.	Description	Date
1	upgrade drawing	2012/11/15
2	spec. revise	2018/12/10
3	dimensions revised	2019/1/23

Specification:

Rating: 100V 4A

Contact resistance:

Pin 30mΩ max.

Shell 50mΩ max.

Insulation resistance:

100MΩ at 500V DC min.

Voltage withstand:

250V AC for 1 minute

RoHS

TOLERANCE X±0.5 X.X±0.3

CONTACT ARRANGEMENT FRONT VIEW (FEMALE)	3P	4P	5AP	5BP	6P	7P	8AP	8BP

5	Shield cover	Zn alloy	Nickel plated
4	Grounding cont	Copper	Nickel plated
3	Screw nut	Brass	Nickel plated
2	Housing	ABS	
1	Terminal	Brass	Silver plated
Item	Description	Material	Treat & Remark



Unicable Co., Ltd. 國陽電業有限公司

5F., No. 111-33, Sec. 4, San Ho Road., San Chung Dist., New Taipei City, Taiwan, R.O.C.  
http://www.unicable.com.tw TEL:+886-2-2286-2122 FAX:+886-2-2286-1010

DATE	2019/1/23	PART NO.	UT-DS553-XP
DWN	GINA	REV.	3
CHK			
UNIT	MM		

ITEM Push Lock DIN Connector Socket